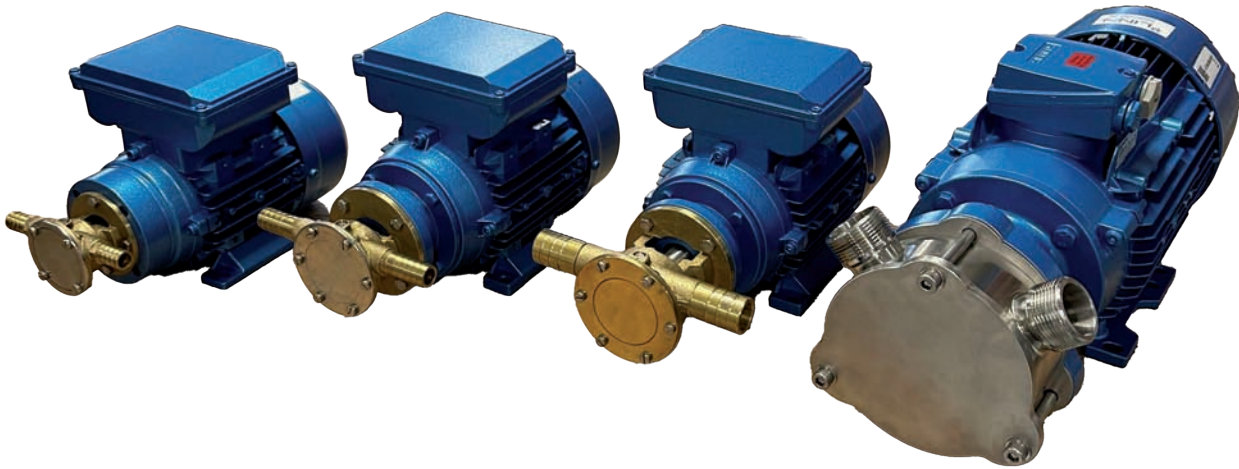


## The self-priming Impeller Pumps in the Industrial Series

provide solutions to decanting the widest range of food, chemical and pharmaceutical products, with a flow-rate from 100 to 20.000 l/h



Our industrial impeller pumps are made entirely of 316L stainless steel or brass and are equipped with various types of electric motors. Thanks to their well-thought-out design, they work without a gearbox and without metal-to-metal contact. These features significantly reduce wear and guarantee long-term operation. They do not require lubrication.

They are versatile and can be perfectly adapted.

The pump body can be rotated 360° so that the inlet and outlet can be positioned according to the installation requirements.

The pump housing is eccentric with respect to the Impellers due to the integrated eccentric cam. This eccentricity causes the volume between the impeller blades to change as the impeller turns. When the blades lose contact with the eccentric, a vacuum is created, causing the liquid to be sucked into the pump chamber. The liquid is transported to the discharge, where blades are pushed in by the eccentric, creating an increase in pressure that forces the liquid outwards.

Impeller pumps are self-priming. The suction occurs immediately (30 s). The direction of rotation is reversible. Our impeller pumps are suitable for volatile or viscous liquids. They are not recommended for highly abrasive products because the metal parts will wear out.

Slightly abrasive or granular solutions can be filled normally.

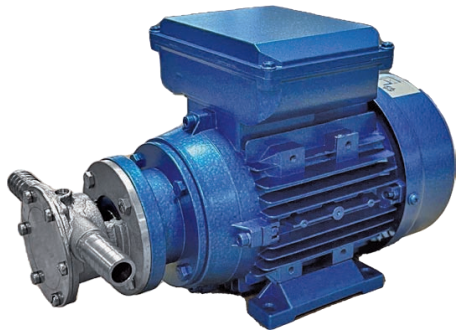


**Liquids**  
Acids, alcohol, formol, distilles water, water of sea, glycerines, aseptic fluids, brine, scents, fertilizers, soaps, gel, detergents, creams, wine, oil, liquors perfumes, gelatines, dyes, diesel oil, light fuel, mineral oils, liquid fats, etc.

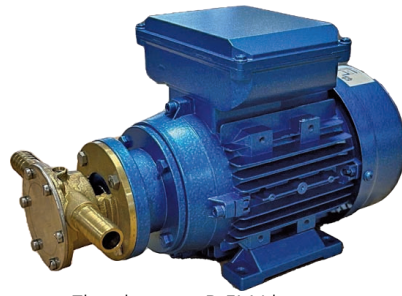
**Application**  
Nautical, pharmaceutical, cosmetic, metallurgical chemistry, water treatment, farming, wine, cellars, olive press, etc.

**Zubehör**  
Inverter, frequency regulator, transport wheelbarrow.

## Impeller pumps B-5



Electric pump B-5M4 stainless steel



Electric pump B-5M4 brass



Inverter (optional)



on trolley (optional)

### Displacement capacity

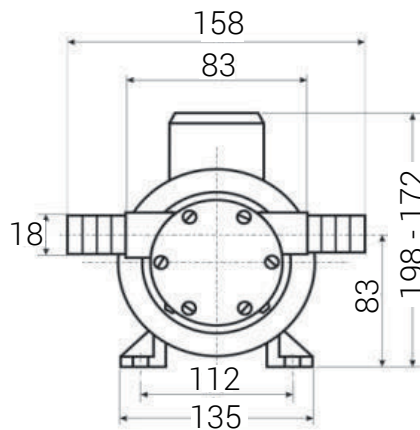
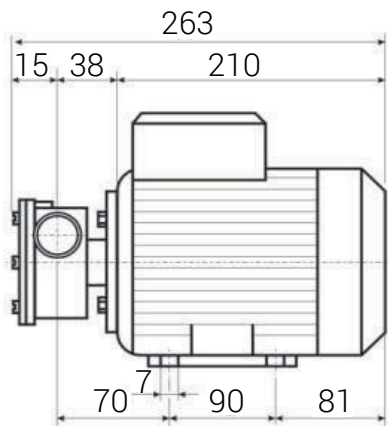
Suction capacity at 1500 rpm: **max. 3 m** | at 1000 and 750 rpm: **max. 2 m** | for oil with a viscosity of 600cp Suction head: **max. 1m**  
 The delivery capacity is reduced with increasing viscosity. approx. 25% loss of performance when pumping with oil (30°C / 600cp).  
 Delivery rate litres per hour for water at 20 °C.

type	min-1	kW	voltage	capacity							
				height	0m	5m	10m	15m	20m	25m	30m
B-5 M4	1500	0,37	230V	Liter / Std.	1200	950	900	800	700	500	300
B-5 T4	1500	0,37	230/400V		1200	950	900	800	700	500	300
B-5 T6	1000	0,25	230/400 V		700	600	550	500	400	200	

### Dimensions

230 - 230 / 400

### Impeller



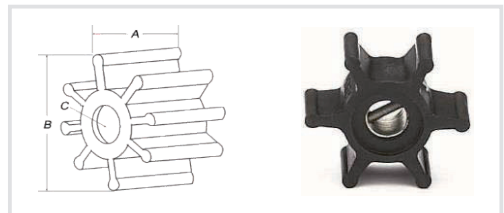
TEMPERATURE	Neopren	5 - 70 °C
	Hygiene	5 - 100 °C
	Nitril	5 - 80 °C
	Hypalon	5 - 110 °C
	EPDM	5 - 80 °C

### Shaft mounting

Stainless steel with toothing

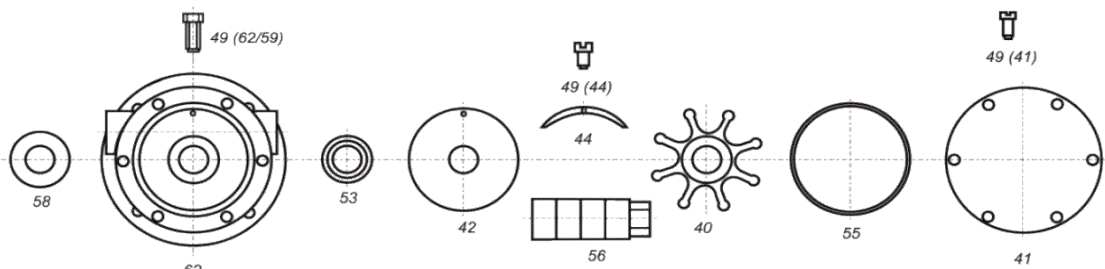
### Dimensions

A	22	6 Blades
B	50	
C	12	



**pump housing:** Stainless steel or brass  
**connection:** G3/8" | 19mm hose nozzle  
**weight:** ca. 6,5 kg

### Spare parts



58 - water cut off  
 42 - inner cap  
 55 - O-ring

62 - pump body  
 44 - cam  
 56 - hose nozzle

49 (62) screw (pump)  
 49 (44) - screw (cam)  
 41 - pump cover

53 - gasket  
 40 - Impeller  
 49(41) screw (pump cover)